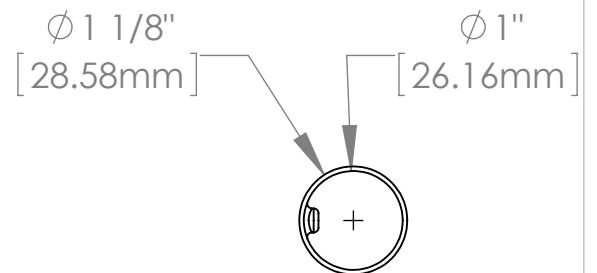
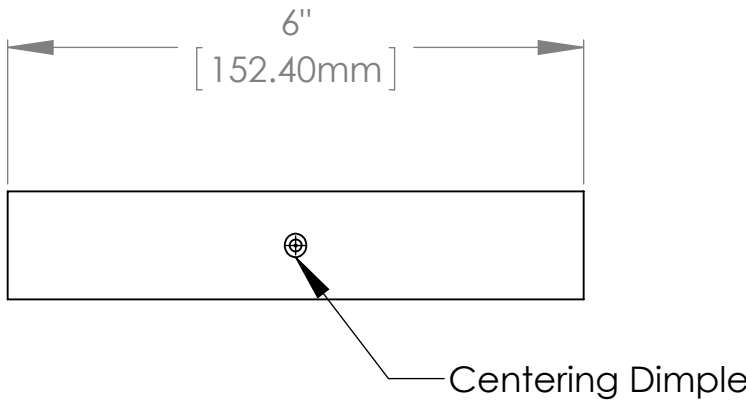
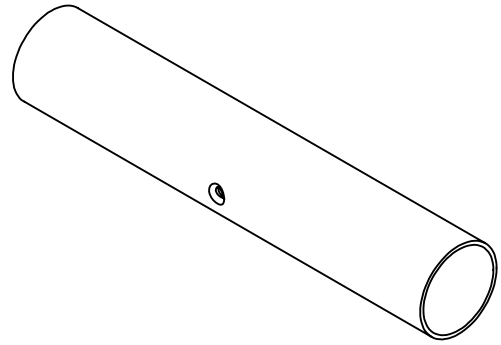


Cut Sheet - PP84-External Coupling

1. Installation to be completed in accordance with manufacturer's written specifications and installation instructions.
2. See spec sheet or contact manufacturer for detailed material, finishes, and configuration options.
3. Contact manufacturer for detailed layout.
4. Do not scale drawings.
5. Subject to change without notice.



Toll Free Phone 1.888.766.4273
Toll Free Fax 1.888.766.9994



Toll Free Phone 1.877.859.3947
Toll Free Fax 1.888.766.9994

289 Harrel Street
Morrisville, VT 05661

Material: See Spec Sheet

Scale: 1:2

5/1/2015

ASG: X

EFS: -