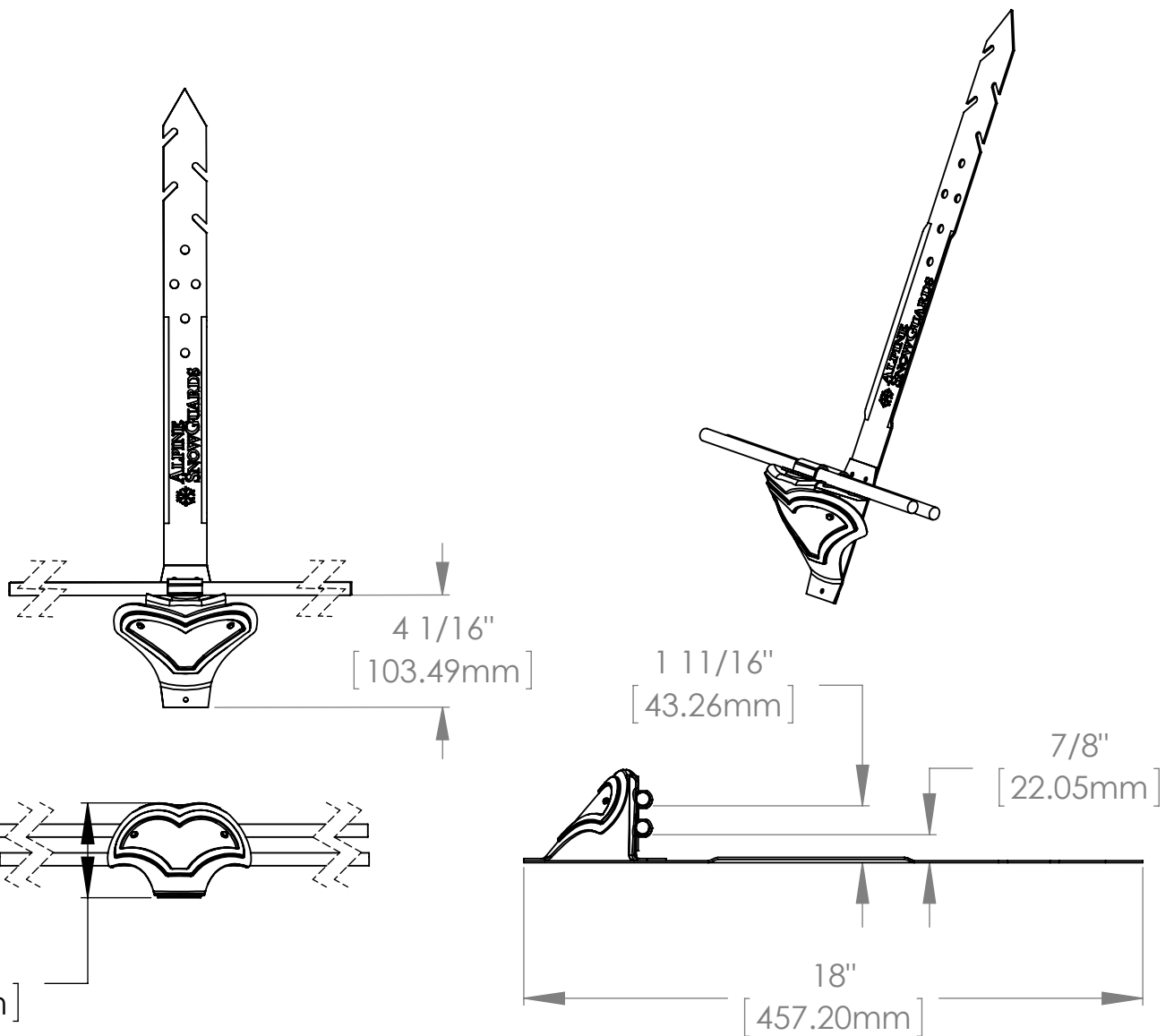


Cut Sheet - SNOW BIRD WITH ROD

1. Installation to be completed in accordance with manufacturer's written specifications and installation instructions.
2. See spec sheet or contact manufacturer for detailed material, finishes, and configuration options.
3. Contact manufacturer for detailed layout.
4. Do not scale drawings.
5. Subject to change without notice.
6. For patent information, visit our [Patent Page](#).

Available Materials/Finishes:

- Cold Rolled Steel (Galvanized)
 - Mill Finish
 - Pre-Powder Coated Dark Bronze
 - Powder Coated
Tiger Drylac RAL # _____
- Red Brass (Standard)



SNOWGUARDWAREHOUSE.COM
143 Forest Ln, Grove City, PA 16127
Ph: 814-786-9085
Email: Mail@JosephJenkins.com

Scale: 1:5

1/11/2021