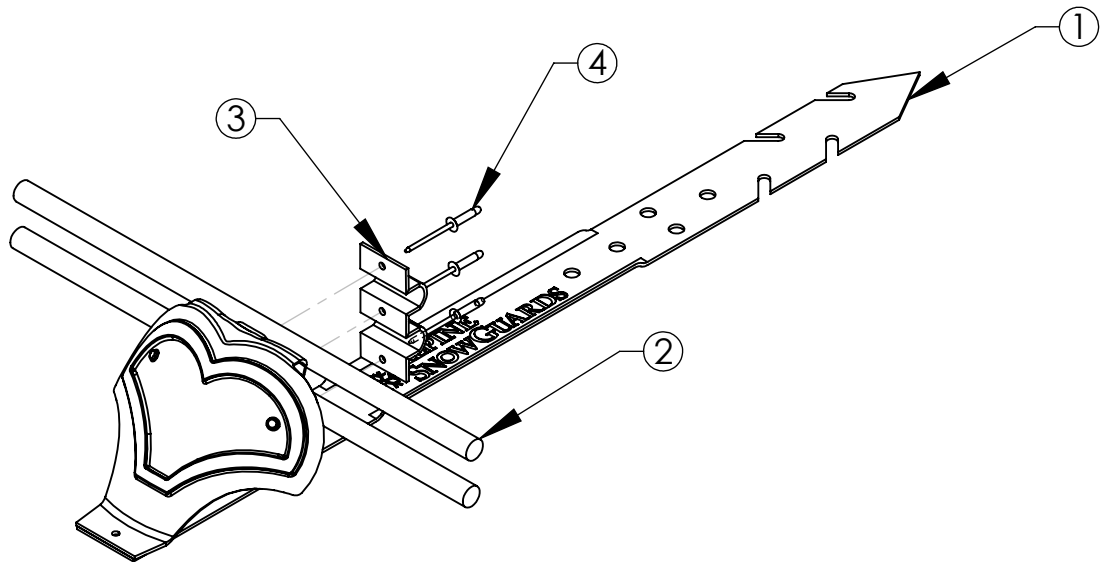


Assembly Sheet - SNOW BIRD WITH ROD

1. Installation to be completed in accordance with manufacturer's written specifications and installation instructions.
2. See spec sheet or contact manufacturer for detailed material, finishes, and configuration options.
3. Contact manufacturer for detailed layout.
4. Do not scale drawings.
5. Subject to change without notice.
6. For patent information, visit our [Patent Page](#).



ITEM NO.	PART CODE	DESCRIPTION	QTY
1	SNOW BIRD	SNOW BIRD	1
2	RD-77 OR PP77	.375" ROD OR PIPE (6' LENGTHS)	AS NEEDED
3	FUSION-GUARD-ROD BRK	FUSION-GUARD ROD BRACKET-SS	1
4	R-POP SS 3.0X6.0	SS POP RIVET 3.0X6.0 (INCLUDED WITH ROD BRACKET)	3



SNOWGUARDWAREHOUSE.COM
 143 Forest Ln, Grove City, PA 16127
 Ph: 814-786-9085
 Email: Mail@JosephJenkins.com

Scale: 1:3

1/13/2021