

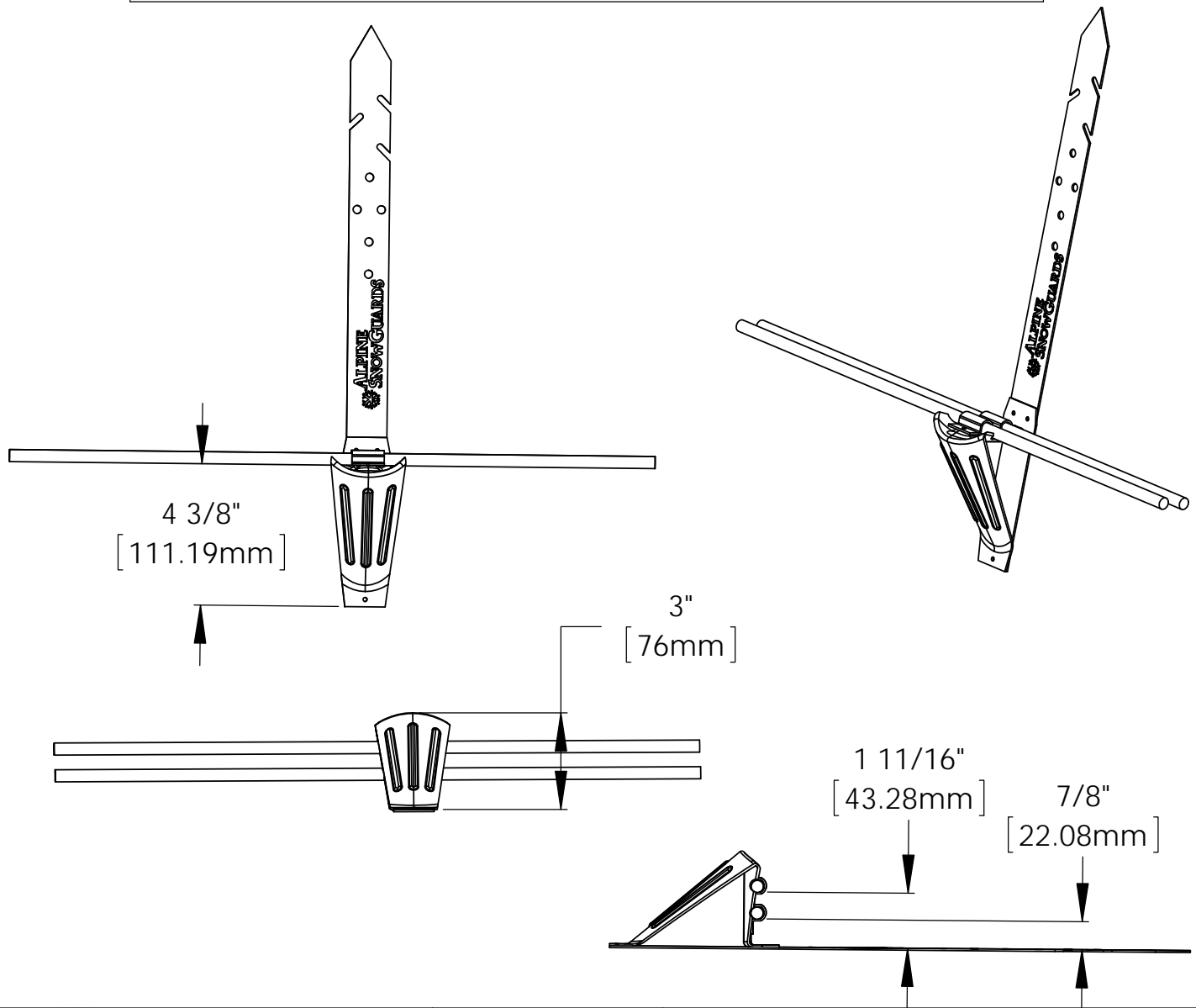
Cut Sheet - FUSION-GUARD WITH ROD

1. Installation to be completed in accordance with manufacturer's written specifications and installation instructions.
2. See spec sheet or contact manufacturer for detailed material, finishes, and configuration options.
3. Contact manufacturer for detailed layout.
4. Do not scale drawings.
5. Subject to change without notice.
6. For patent information, visit our Patent Page.

Available Materials/Finishes:

- Cold Rolled Steel
- Pre-Powder Coated Dark Bronze
- Powder Coated
(Tiger Drylac RAL# _____)
- Red Brass (Standard)

- Aluminum
 - Mill Finish (Standard)
 - Powder Coated
(Tiger Drylac RAL# _____)
- Stainless Steel
 - Mill Finish (Standard)
 - Powder Coated
(Tiger Drylac RAL# _____)



SnowGuardWarehouse.com
 Ph: 814-786-9085; 143 Forest Ln.
 Grove City, PA 16127

Scale: 1:5

7/22/2020