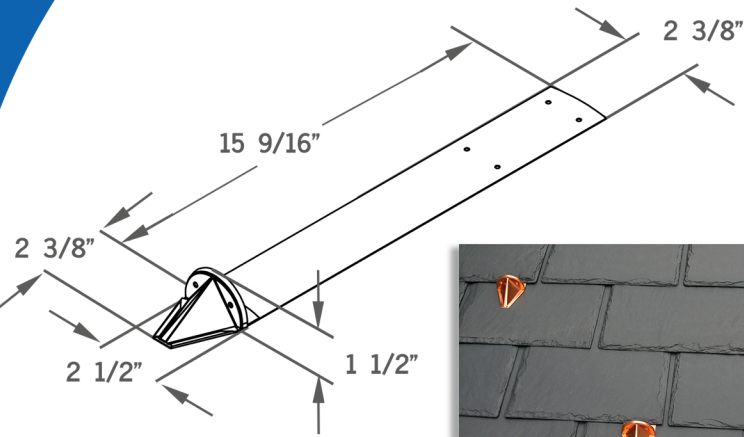




PD10 Pad Style Snow Guard

ALPINE SNOWGUARDS®

Info@alpinesnowguards.com 888-766-4273



Standard Layout

2 X 4 Layout – less than 75 psf Ground Snow Load and less than 16/12 roof pitch using 12 snow guards per square.

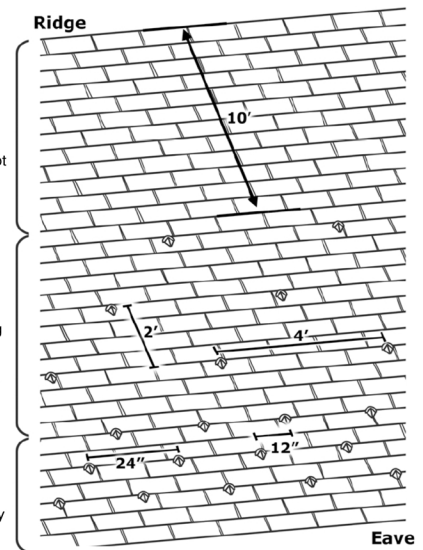
Top ten feet of rafter does not generally require snow guards except in extreme snow load areas.

2 X 4 Supplemental Pattern
(Alpine's standard layout)

This pattern is for installations using 12 snow guards per square including the standard three-row pattern. Space rows 2' vertically and 4' horizontally to within 10' of the ridge.

Standard Three-Row Pattern- For All Roofs

Three rows 24" on center horizontally with the middle row staggered 12".



Contact Alpine SnowGuards for ground snow loads above 75 PSF

Features

- ❖ Made in the USA using recycled materials
- ❖ Riveted "fish head" design means optimum strength with no risk of unfolding
- ❖ Thin, yet durable strap minimizes disruption of slate/shingle pattern while allowing secure mechanical attachment to structural deck
- ❖ Allows snow and ice to drop off in small amounts or melt completely
- ❖ Also available with a Fleur-de-lis embellishment in copper, leaded coated copper, & mill finish aluminum
- ❖ All of our snow guards are tested extensively in the field by roofing experts

Roof Types & Materials

Available Materials:

- ❖ Copper
- ❖ Zinc (Graphite Gray)
- ❖ Aluminum (Mill or Firestone Una Clad Colors)
- ❖ Freedom Gray® Z-T Alloy
- ❖ Galvalume®
- ❖ Lead Coated Copper

Roof Types:

- ❖ Slate
- ❖ Synthetic Slate
- ❖ Composition Shingle
- ❖ Cedar Shingle
- ❖ Flat Tile



Useful Links > [Product Page](#) [Cutsheet](#) [Specifications](#) [Install Instructions](#)

6/7/2018