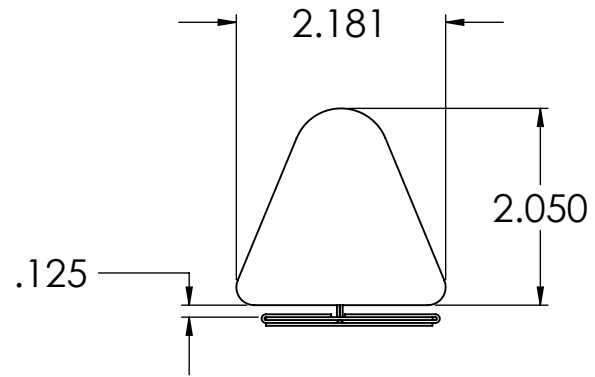
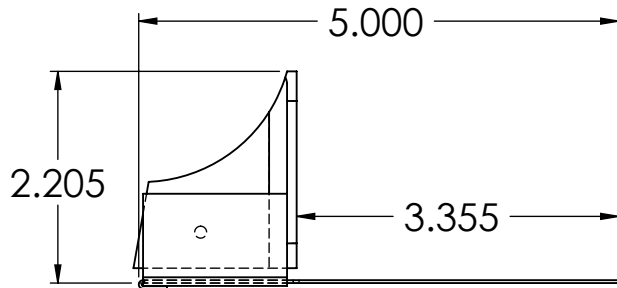
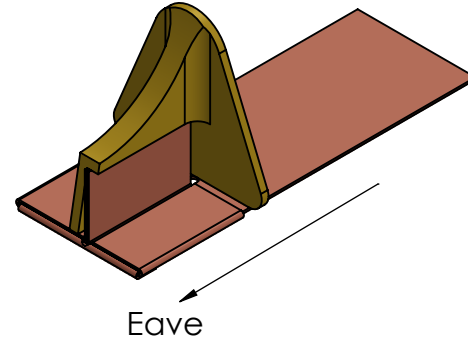
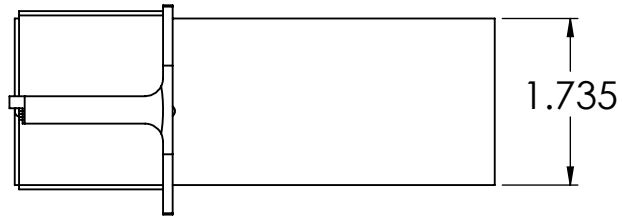


Install in accordance with Berger's written specifications and instructions. Contact Berger for detailed layout, spec sheet for detailed material, finishes, and configuration options. Do not scale drawings. Subject to change without notice

SnowGuardWarehouse.com Ph: 814-786-9085



BERGER[®]

QUALITY BUILDING PRODUCTS SINCE 1874

Berger Building Products, Inc
805 Pennsylvania Blvd
Feasterville, PA 19053

www.bergerbp.com

Phone: 800-523-8852
Fax: 215-355-7738

Mullane #200S for Soldering
200CPSM

Material: Refer to Spec Sheet

SCALE
1:2

DWG. NO.

SHEET 1 OF 1