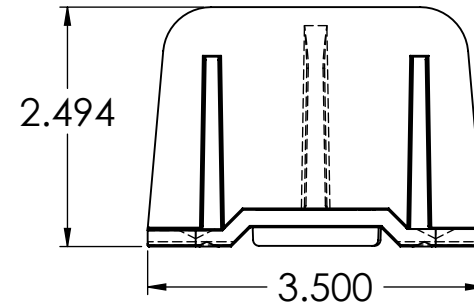
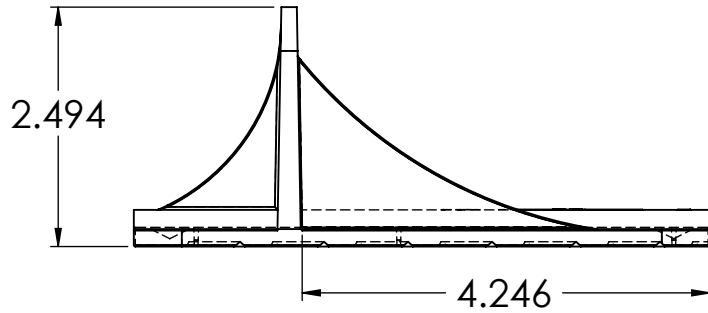
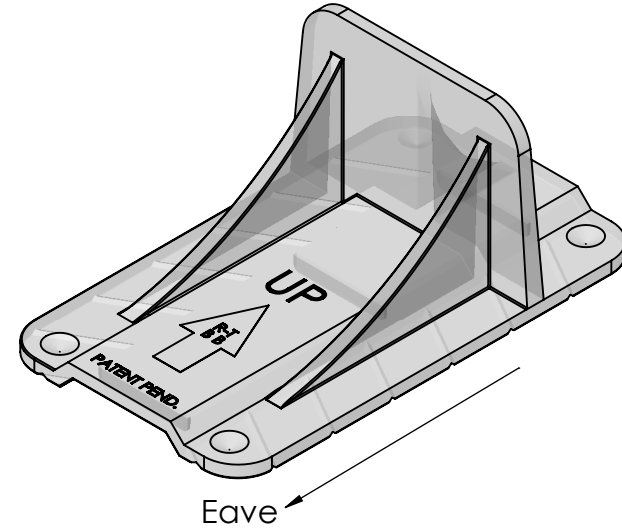
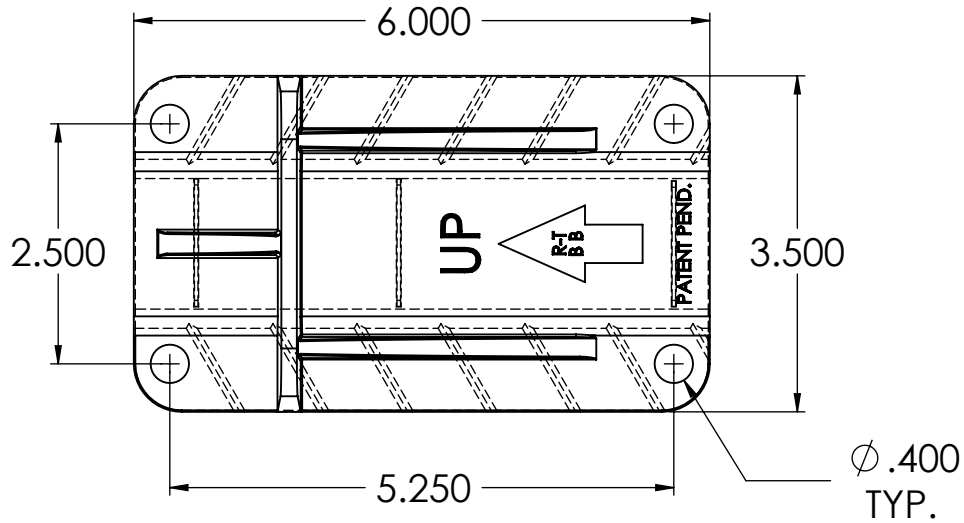


Install in accordance with Berger's written specifications and instructions. Contact Berger for detailed layout, spec sheet for detailed material, finishes, and configuration options. Do not scale drawings. Subject to change without notice



BERGER[®]

QUALITY BUILDING PRODUCTS SINCE 1874

Berger Building Products, Inc
805 Pennsylvania Blvd
Feasterville, PA 19053

www.bergerbp.com

Phone: 800-523-8852
Fax: 215-355-7738

Real Tool Clear Plastic
Structural Rib Snow Guard
for Ribbed Metal Roofing
RTCLSR

Material: Refer to Spec Sheet

SCALE
1:2

DWG. NO.

SHEET 1 OF 1