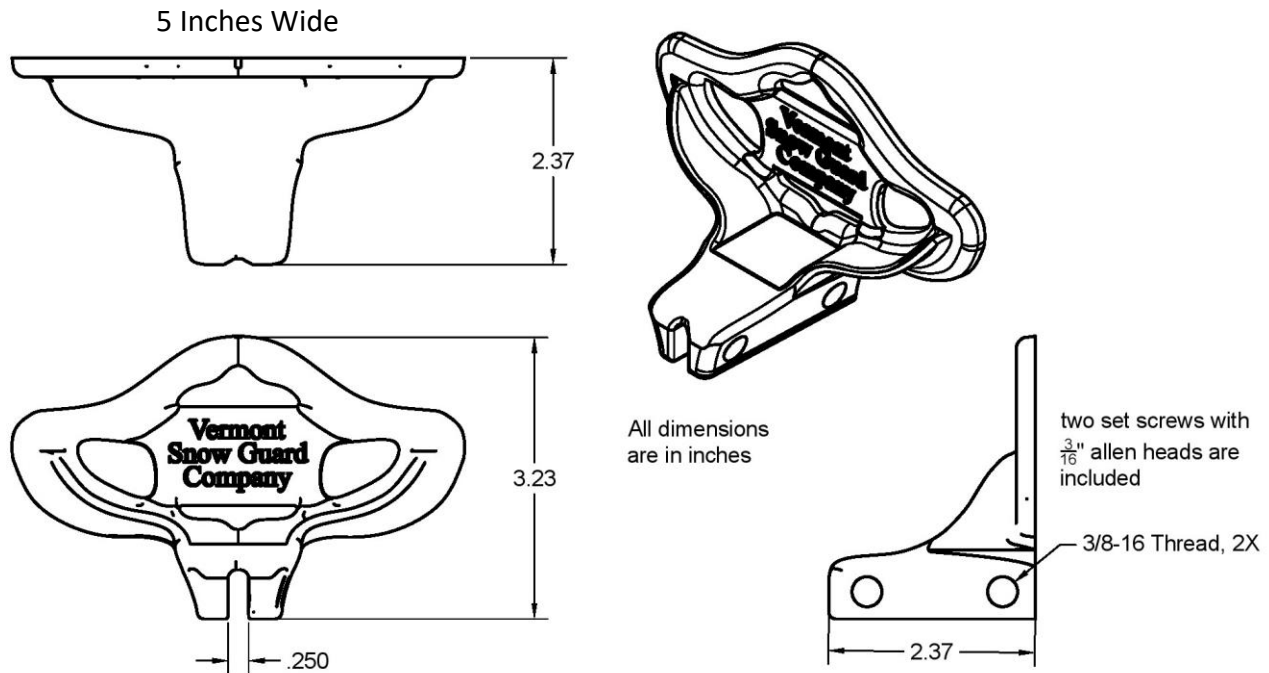




## Model SS1 Specification sheet

[www.vermontsnowguardcompany.com](http://www.vermontsnowguardcompany.com)



Model SS1 is made to be used with standing seam roof installations. It is suitable for seams 1 1/2" or less, 24 gauge or lighter metal, and can be used on double-locked seams or seams that have been crimped over at installation point by a professional installer/roofer.

### **Model SS1A Aluminum:**

Mill finish cast aluminum (for standing seam roofs). Weight: .5 lb.

### **Model SS1SC Powder:**

Mill finish cast aluminum powder coated (for standing seam roofs). Weight: .5 lb. Available in choice of standard colors: Medium Bronze, Charcoal Gray or Hunter Green. Other colors available for large orders. Call us to set up a custom order and determine necessary lead time.

### **Model SS1B Bronze:**

Solid cast bronze (for copper standing seam roofs). Weight: 1.10 lb.

### **Recommended Fasteners:**

Install using included set screws.