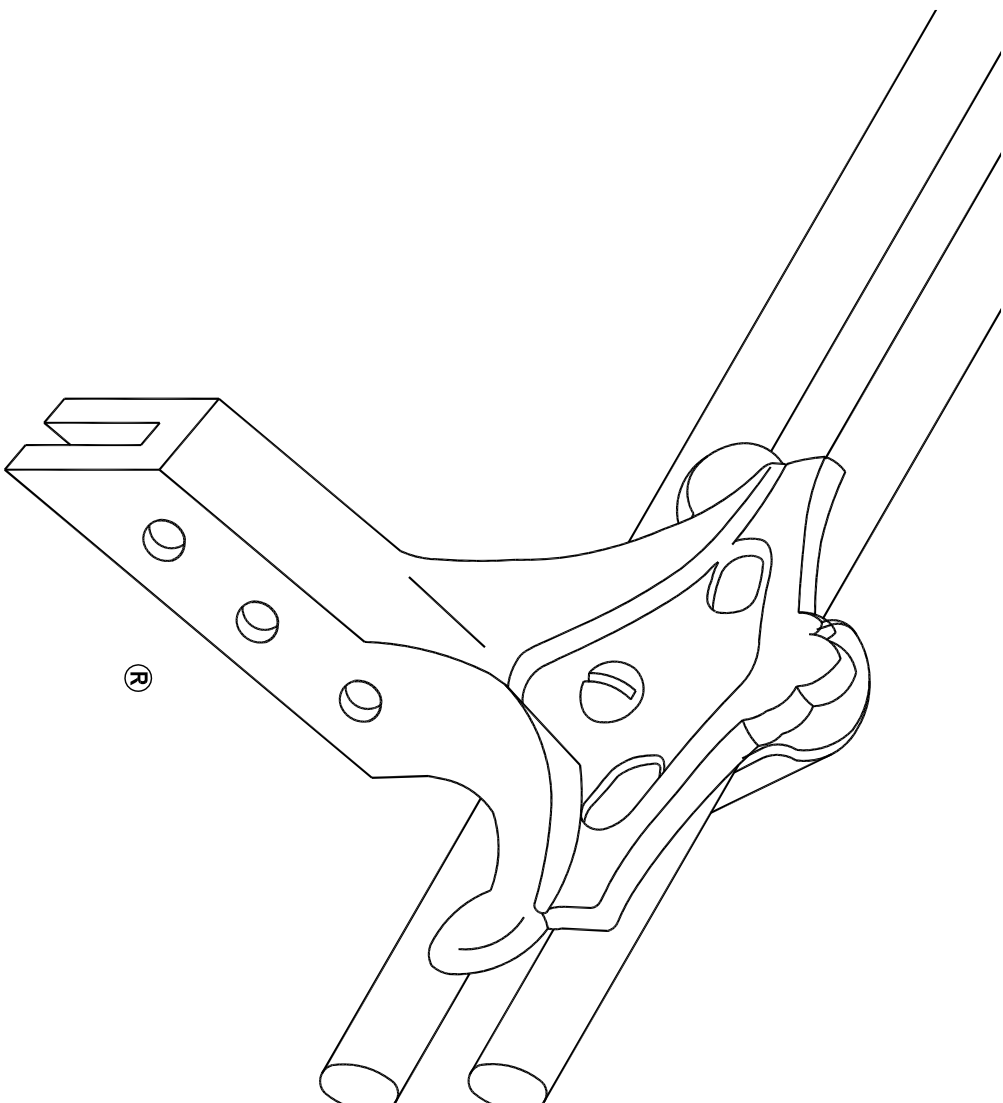
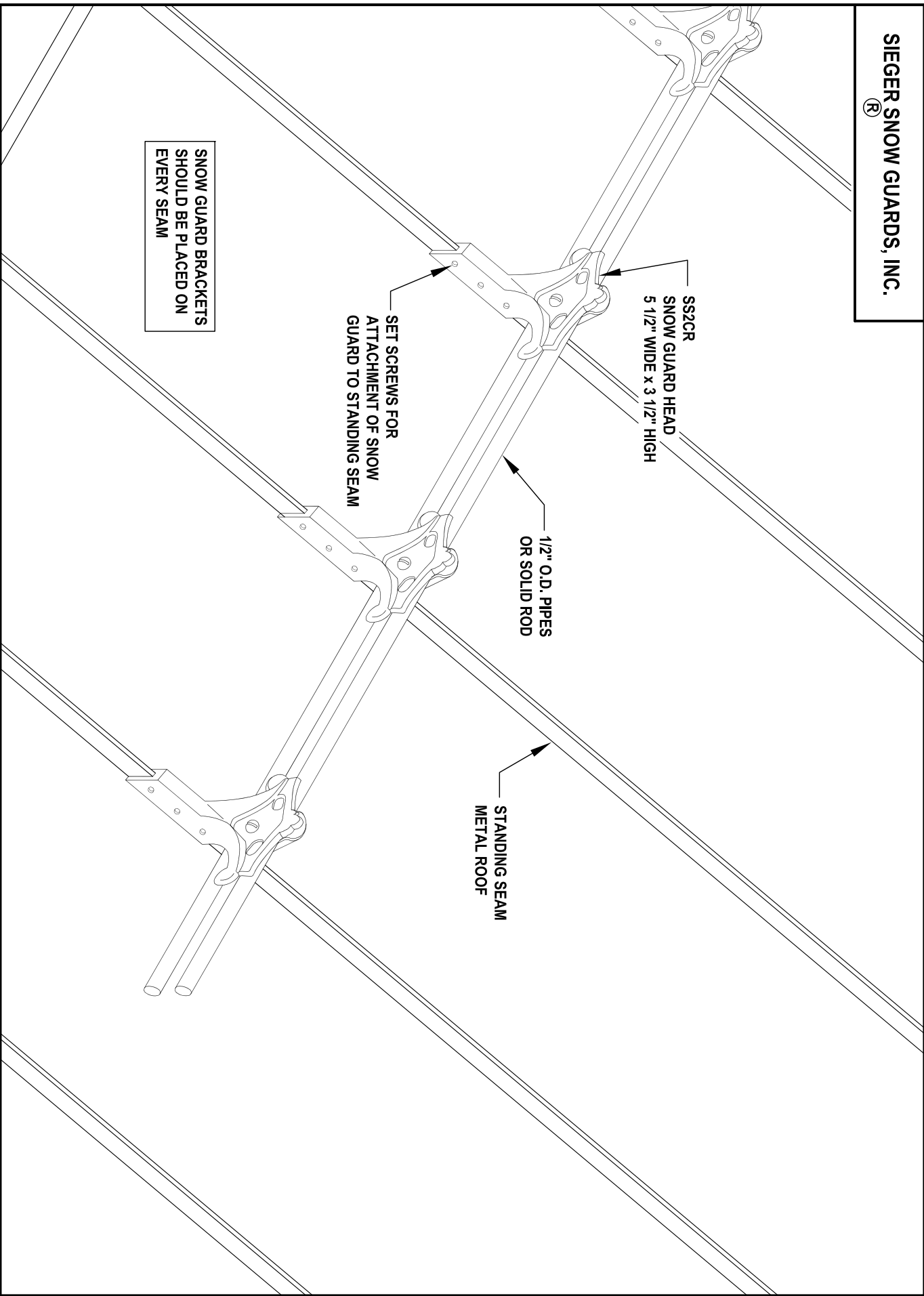


TYPICAL SS2CR CROSS SECTION



SS2CR - FOR STANDING SEAM METAL ROOF CONSTRUCTION



**SNOW GUARD BRACKETS
SHOULD BE PLACED ON
EVERY SEAM**

**SET SCREWS FOR
ATTACHMENT OF SNOW
GUARD TO STANDING SEAM**

**SS2CR
SNOW GUARD HEAD
5 1/2" WIDE x 3 1/2" HIGH**

**1/2" O.D. PIPES
OR SOLID ROD**

**STANDING SEAM
METAL ROOF**

TYPICAL SS2CR INSTALLATION DIAGRAM

COPYRIGHT © 2009 - SIEGER SNOW GUARDS, INC. - ALL RIGHTS RESERVED[®]

THE "SS2CR" AND ITS THREE-DIMENSIONAL CONFIGURATION ARE TRADEMARKS OF SIEGER SNOW GUARDS, INC.