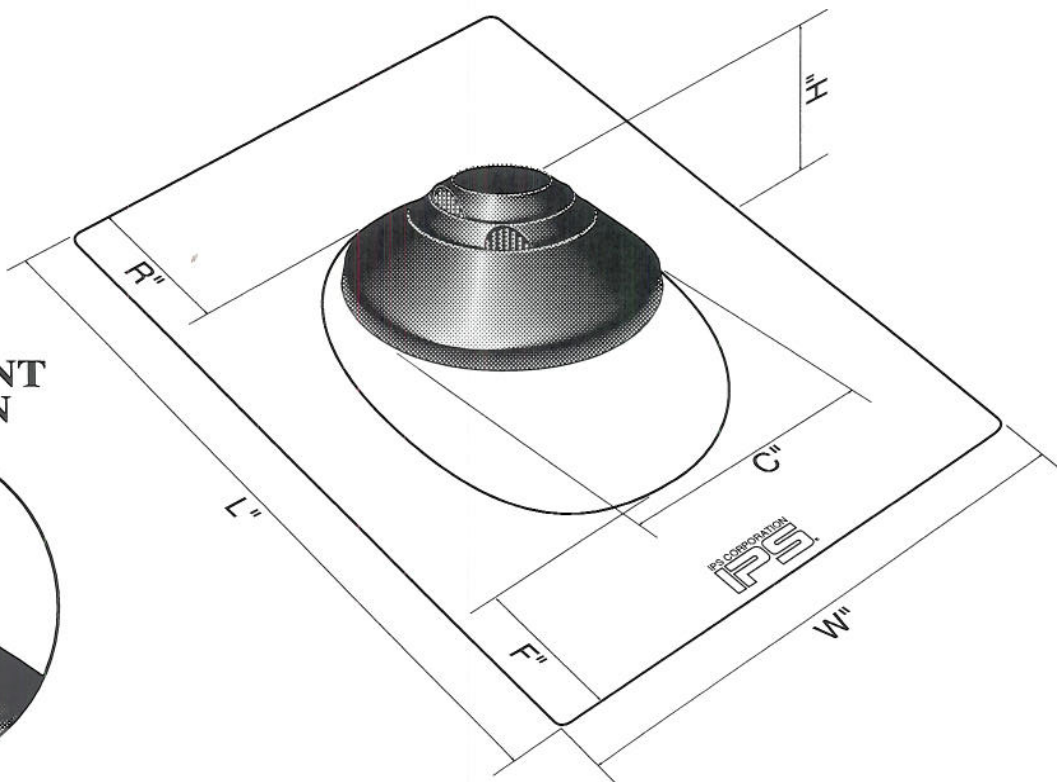


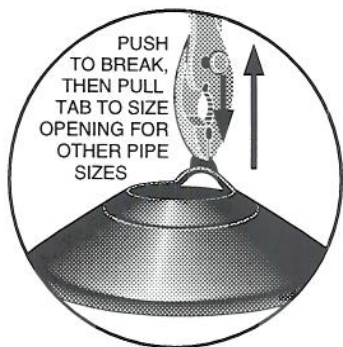
Copper Base Adjustable Multi-Size Roof Vent Flashing

SPECIFICATION

Furnish and install roof vent flashing with 16 ounce copper base, fitted with adjustable multi-size elastomer collar. Unit shall be Water•Tite figure number checked below as manufactured by IPS Corporation in Collierville, TN, USA, as per corresponding dimensional characteristics, or equivalent.



ADJUSTMENT FUNCTION



✓ **PROD. CODE**

81940
81941

Roof Vent Flashing Dimensional Characteristics

Model	Vent Size	Dim. W	Dim. L	Dim. R	Dim. F	Dim. C	Dim. H
CB 31	1 1/4" - 3"	10 3/4"	14 1/2"	2 5/8"	2 3/8"	5 1/2"	2 1/8"
CB 34	3" - 4"	12"	16"	6 1/4"	5 7/8"	6 1/2"	2 1/4"

IPS CORPORATION

P.O. Box 220 • Collierville, TN 38027-0220
901-853-5001 • Fax: 901-853-5008 • Wats: 800-888-8312

