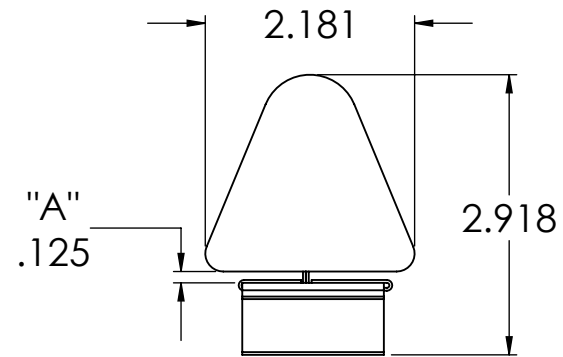
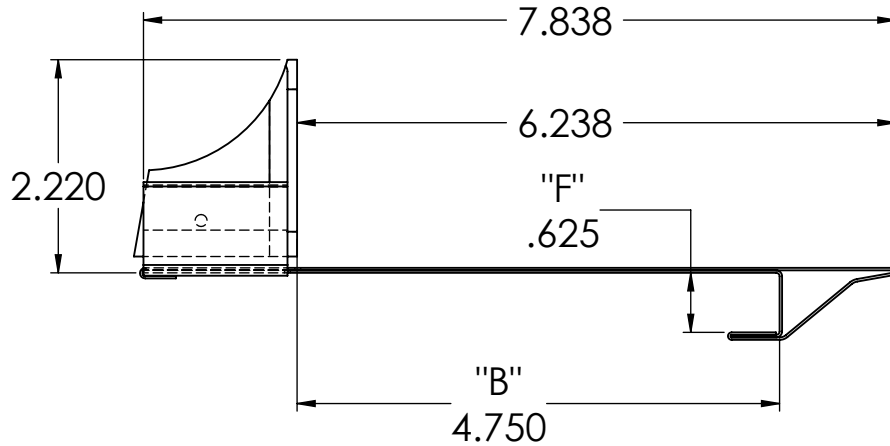
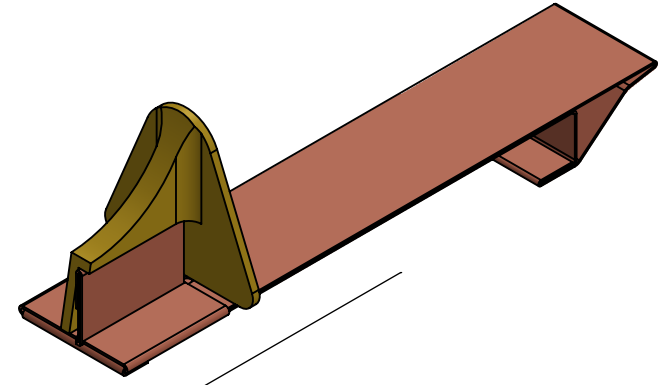
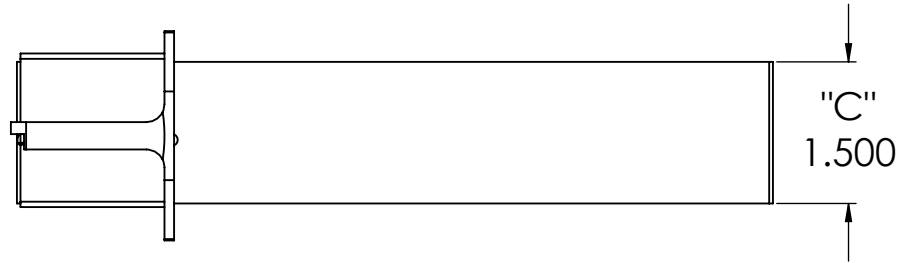


Install in accordance with Berger's written specifications and instructions. Contact Berger for detailed layout, spec sheet for detailed material, finishes, and configuration options. Do not scale drawings. Subject to change without notice

SnowGuardWarehouse.com Ph: 814-786-9085



For an additional cost, Mullane products can be special ordered to meet your specific needs. Fill in your requirements in inches:

A: _____
 B: _____
 C: _____
 F: _____

BERGER

QUALITY BUILDING PRODUCTS SINCE 1874

Berger Building Products, Inc
 805 Pennsylvania Blvd
 Feasterville, PA 19053

www.bergerbp.com

Phone: 800-523-8852
 Fax: 215-355-7738

Mullane Model 200S for
 Tile Roofing
200CPT

Material: Refer to Spec Sheet

SCALE
1:2

DWG. NO.

SHEET 1 OF 1