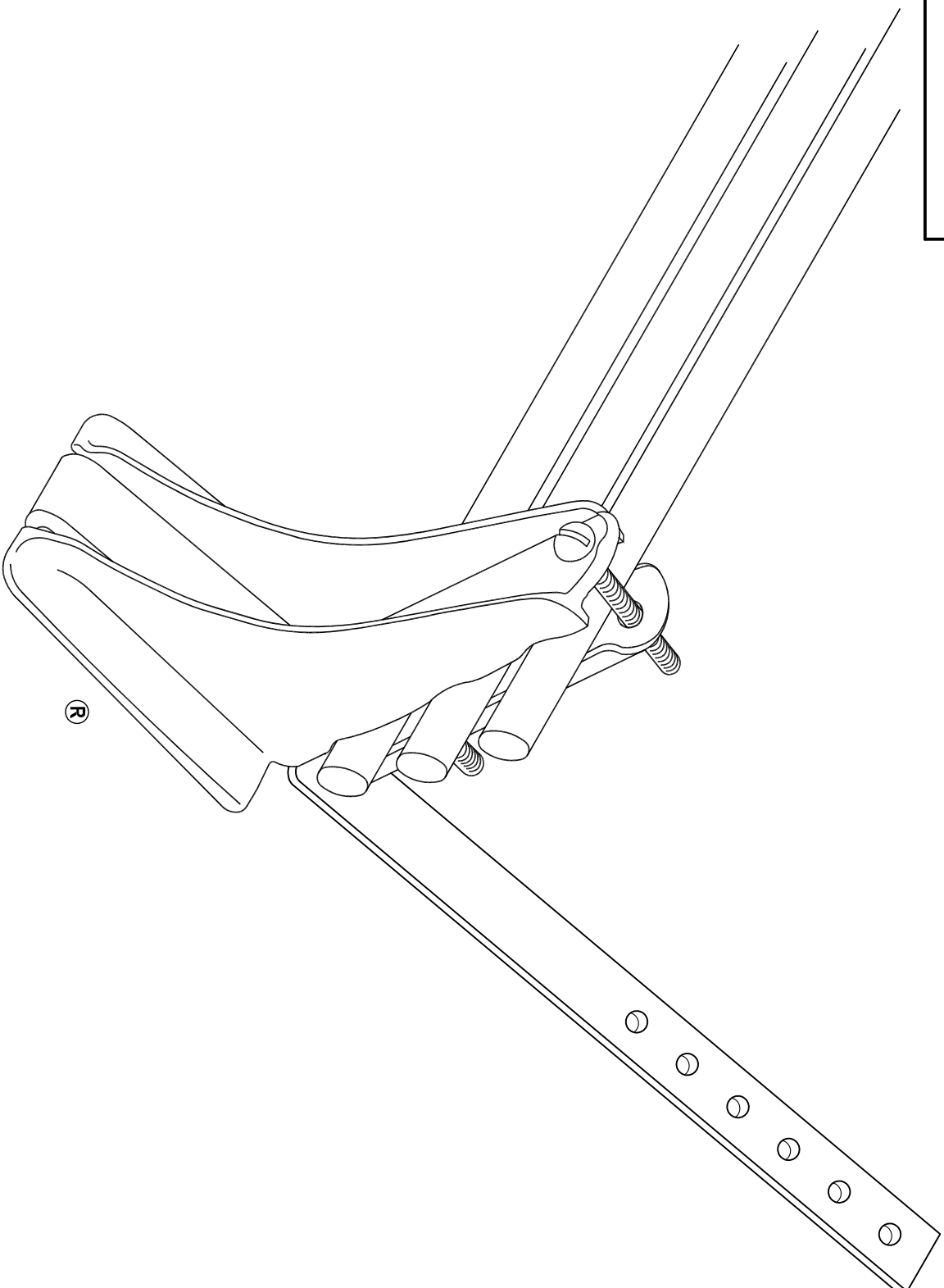
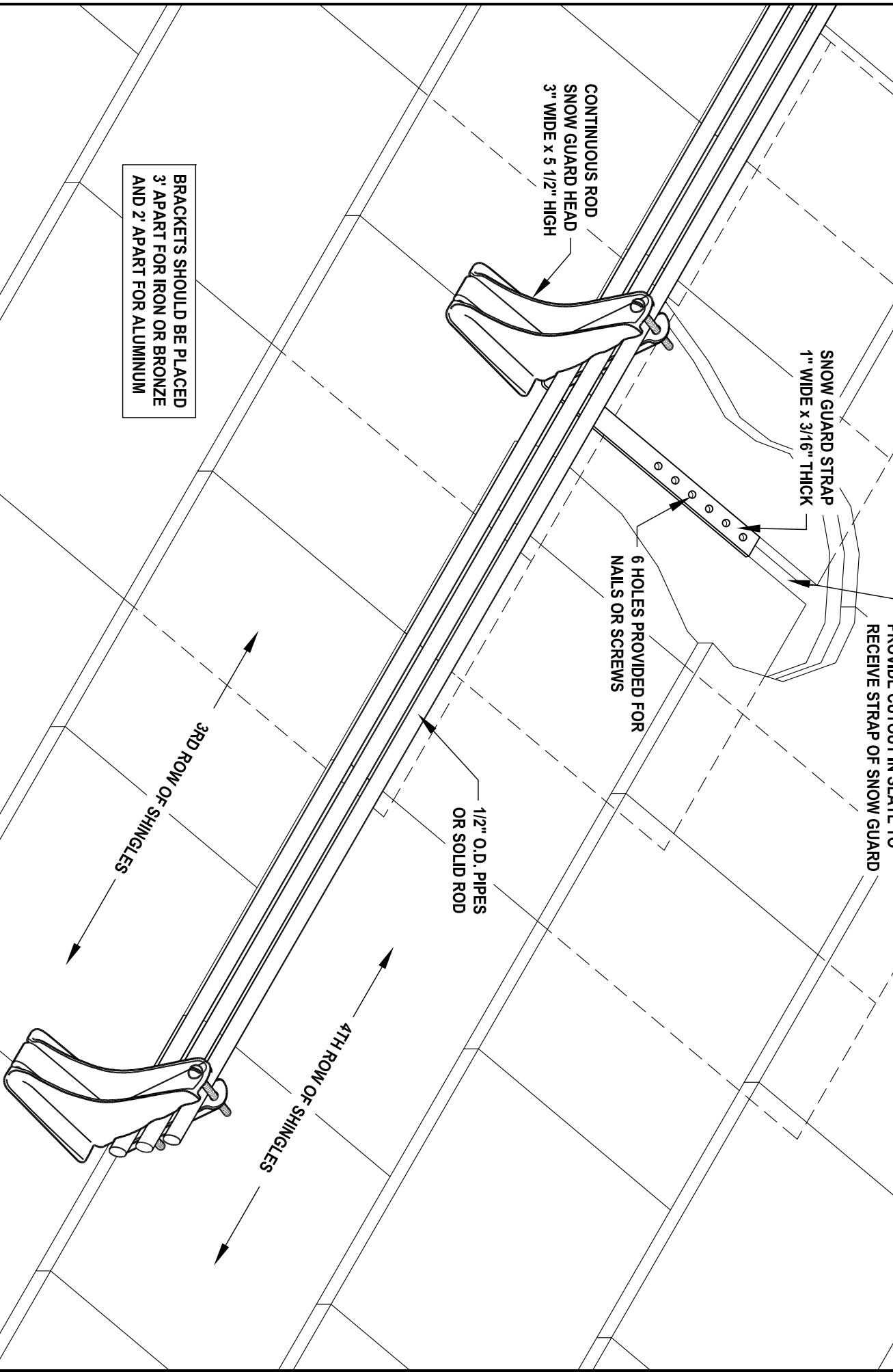


TYPICAL CONTINUOUS ROD CROSS SECTION



CONTINUOUS ROD - FOR SLATE ROOF CONSTRUCTION



TYPICAL CONTINUOUS ROD INSTALLATION DIAGRAM

COPYRIGHT © 2009 - SIEGER SNOW GUARDS, INC. - ALL RIGHTS RESERVED
[®]

THE "CONTINUOUS ROD" AND ITS THREE-DIMENSIONAL CONFIGURATION ARE TRADEMARKS OF SIEGER SNOW GUARDS, INC.