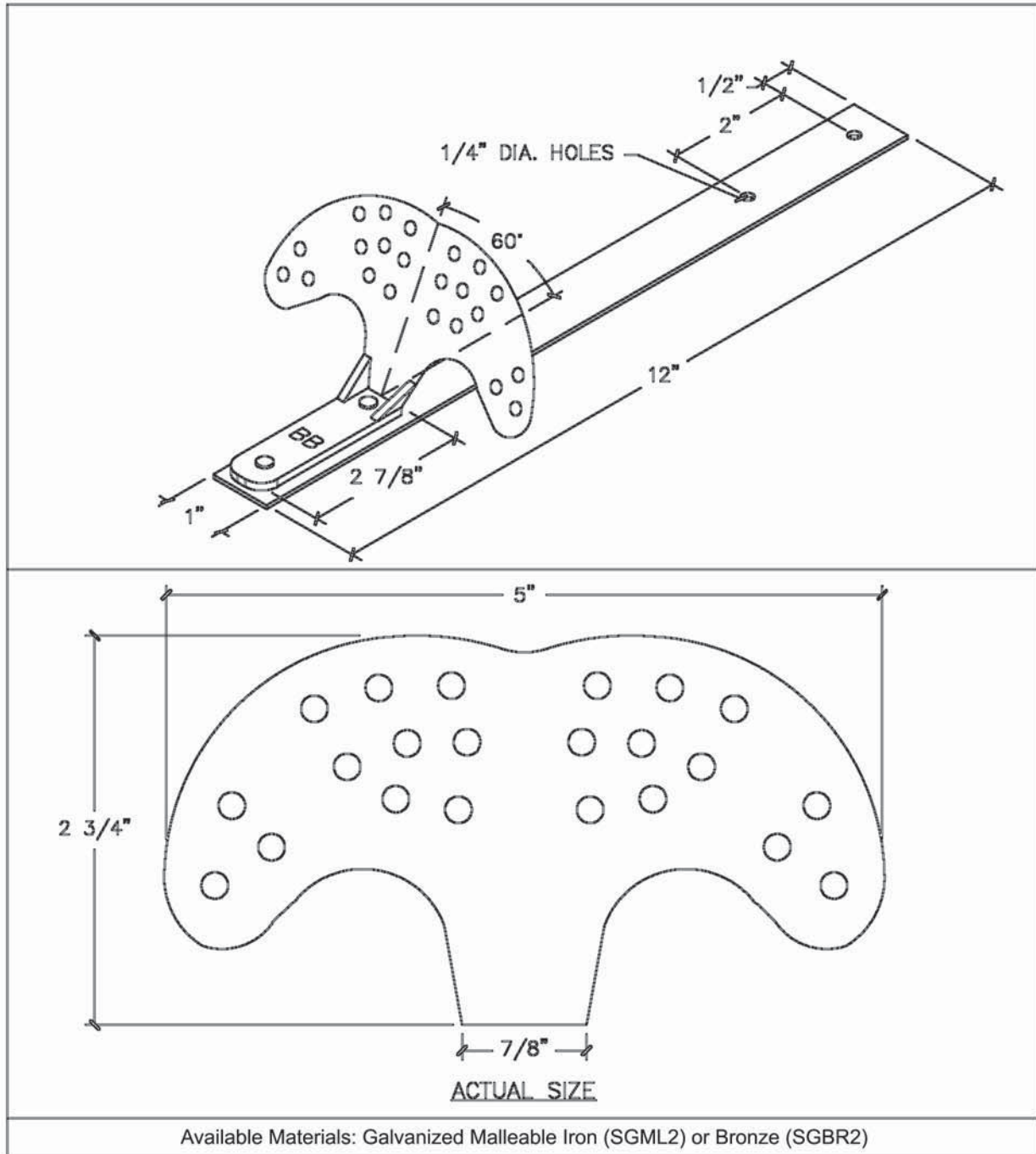


SnowGuardWarehouse.com

Snow Guards and Rails for All Types of Roofs

Joseph Jenkins, Inc., 143 Forest Lane, Grove City, PA 16127 USA: Ph: 814-786-9085
Toll Free: 866-641-7141; Fax: 814-786-8209 Email: mail@josephjenkins.com

RESIDENTIAL SNOW GUARDS No. 2 ASSEMBLY for SLATE ROOF



INFORMATION: A DURABLE, PLATED IRON CASTING AND BAR ASSEMBLY DESIGNED FOR SLATE ROOFS. THE RIVETED STEEL BAR IS 1/8" x 1" x 12" LONG AND GOES 8" UNDER THE SLATE AND BETWEEN THE SLATE COURSE. IT IS NORMALLY INSTALLED WITH THE SLATE ROOF APPLICATION. ALSO SUITED FOR WOOD SHAKE, TILE AND MINERAL SURFACED SHINGLES. EXCELLENT IN AREAS THAT RECEIVE HEAVY SNOWS!