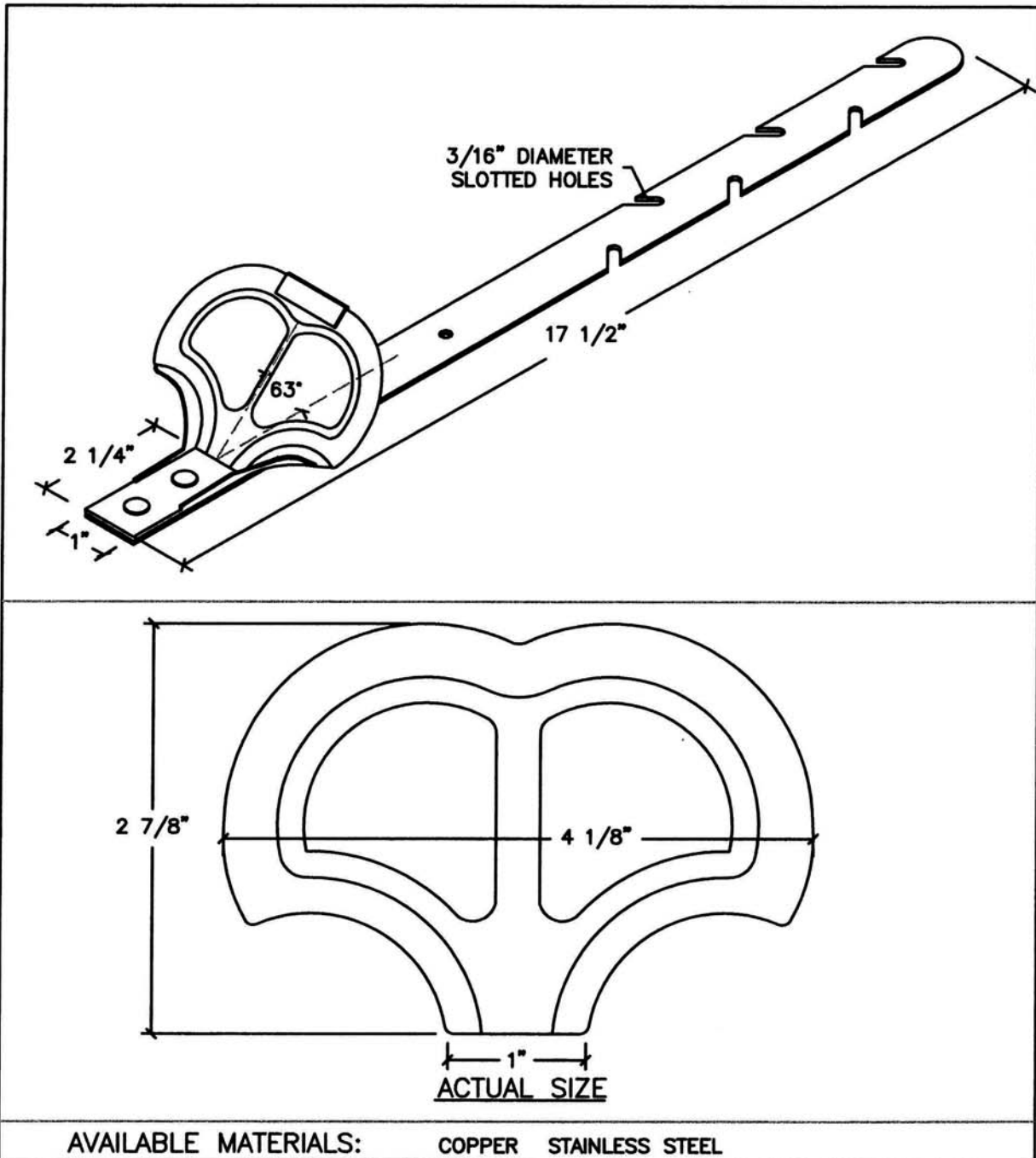


SnowGuardWarehouse.com

Snow Guards and Rails for All Types of Roofs

Joseph Jenkins, Inc., 143 Forest Lane, Grove City, PA 16127 USA: Ph: 814-786-9085
Toll Free: 866-641-7141; Fax: 814-786-8209 Email: mail@josephjenkins.com

RESIDENTIAL SNOW GUARDS Pro No. 100 ASSEMBLY



AVAILABLE MATERIALS: COPPER STAINLESS STEEL

INFORMATION: THIS GUARD HAS ELIMINATED THE NECESSITY OF REMOVING SLATE, AVOIDING THE POSSIBILITY OF BREAKAGE. SIMPLY INSERT THE SLOTTED BAR UNDER THE SLATE OR SHINGLE, ENGAGE A NAIL WITH ONE OF THE CONVENIENTLY PLACED SLOTS AND PULL DOWN TO FULLY SECURE BAR. THIS STYLE SNOW GUARD PROVIDES FAST INSTALLATION AND IS IDEAL FOR EXISTING OR NEW CONSTRUCTION APPLICATIONS WITH ASPHALT SHINGLED ROOFS.