

# TruSlate® Snow Guard Application Instructions

Updated: 6/13



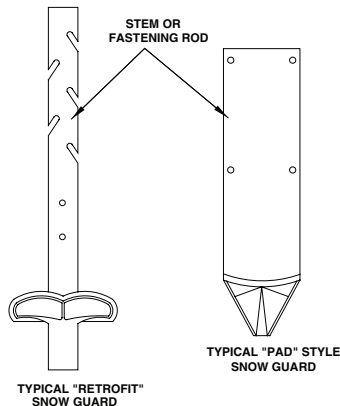
*Quality You Can Trust...From  
North America's Largest Roofing Manufacturer!™*

***[gaf.com](http://gaf.com)***

# Installing Snow Guards with the GAF TruSlate® Premium Roofing System

## General Snow Guard Recommendations...

- Snow guards are most commonly used in cold climates with heavy snowfall. Snow guards help to prevent large pieces of snow or ice from cascading off a steep-slope roof surface, potentially damaging property or causing bodily injury.
- "Pad" style snow guards or "Retro-fit" snow guards work well with the TruSlate® Premium Roofing System. The exposed portion of "Pad" style or "Retrofit" snow guards sits on top of the slates when installed.
- Generally, 10" to 12" (254-305 mm) length snow guards are the easiest to install with the TruSlate® Premium Roofing System.



## Always Use Proper Materials With The TruSlate® Premium Roofing System...

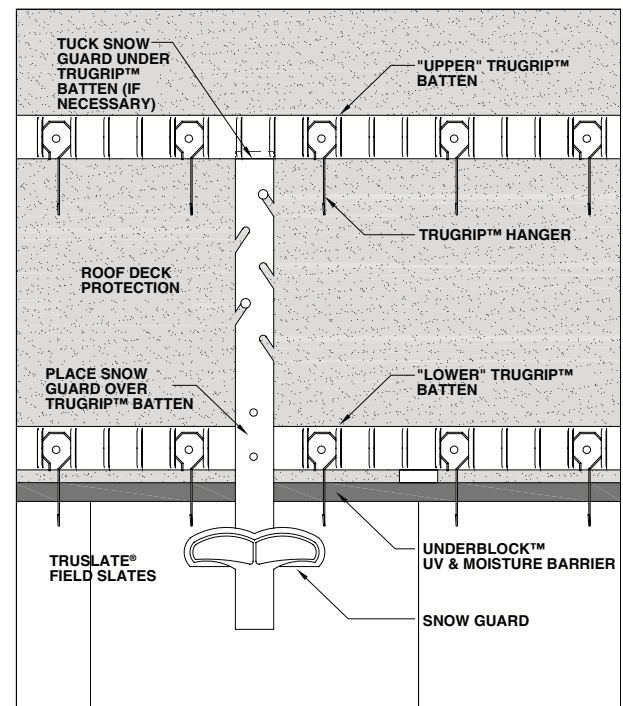
- GAF strongly recommends stainless steel snow guards be used with the TruSlate® Premium Roofing System.
- If copper snow guards are preferred, a strip of leak barrier must be placed between the copper snow guard and any stainless steel components of the TruSlate® Premium Roofing System. This will act to help prevent any potential galvanic corrosion.
- Snow guard fasteners must always be made of the same metal as the snow guard.
- Do **NOT** use galvanized metal or other incompatible metals. They can cause corrosion, staining, or failures in the snow guard and/or roof system.

## Consult the Snow Guard Manufacturer or a Design Professional...

- Always consult the snow guard manufacturer's published application instructions for further details and specifications.
- For assistance on snow guard quantity, layout/design, and snow-load considerations, contact a design professional or the snow guard manufacturer.

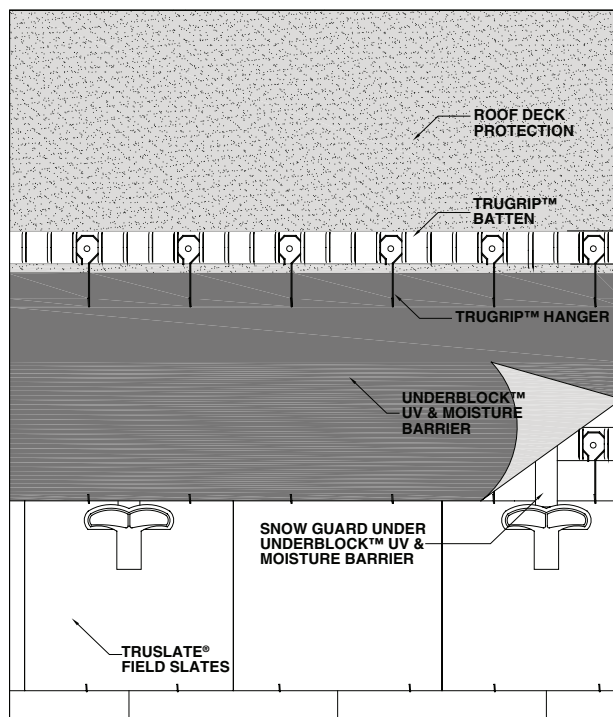
## STEP 1 Fasten The Snow Guards To The Deck...

1. First install the underlayment and TruGrip™ Battens and Hangers on the roof deck.
2. Position the snow guard centered between hangers. The snow guard "stem" or "fastening rod" should sit over the bottom batten and under the top batten.
  - In some cases, (depending on the length of the snow guard) the snow guard will not extend up to the top batten. Therefore, it will not be necessary to tuck it under this batten.
  - If copper snow guards are used, always place a strip of leak barrier between the snow guard stem/fastening rod and the stainless steel battens to separate the copper from the stainless steel.
3. Securely fasten the snow guard to the deck using proper fasteners.
4. The exposed portion of the snow guard will sit on top of the lower course of slate.
5. Continue installing and fastening the snow guards to the deck, as directed by the manufacturer's published application instructions or design professional's specifications.



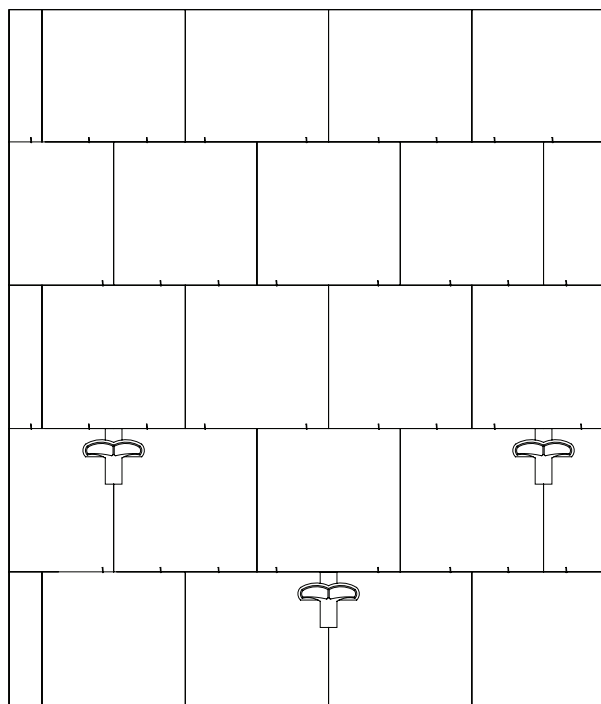
## STEP 2 Install UnderBlock™ UV & Moisture Barrier...

1. After the snow guards have been fastened to the deck, proceed as normal, installing the UnderBlock™ UV & Moisture Barrier on each course of the TruSlate® Premium Roofing System.
2. UnderBlock™ UV & Moisture Barrier must always cover the “stems” or “fastening rods” of the snow guards.
  - Do **NOT** fasten the snow guards to the deck through the UnderBlock™ UV & Moisture Barrier. Puncturing the UnderBlock™ UV & Moisture Barrier can allow water infiltration into the system.



## STEP 3 Install TruSlate® Field Slates...

1. Complete the installation by laying in the TruSlate® Field Slates.
2. As always, ensure that there are no spaces between the field slates.
  - **Remember:** There must always be two TruGrip™ Hangers supporting each piece of field slate.



### Important Considerations...

- GAF does not require snow guards be installed with its TruSlate® Premium Roofing System.
- GAF does not warrant any snow guard products.
- GAF is not responsible for issues or damages affecting the TruSlate® Premium Roofing System caused by the installation of snow guards.

Safety Caution: The installation of snow guards along with cold roof designs should be considered by the roof designer to help prevent snow/ice packs from sliding off roofs. Sliding snow/ice packs can damage the roof, roof projections, and property below the eaves, and can represent a serious danger to pedestrians.



*Quality You Can Trust...  
From North America's  
Largest Roofing Manufacturer!™*