

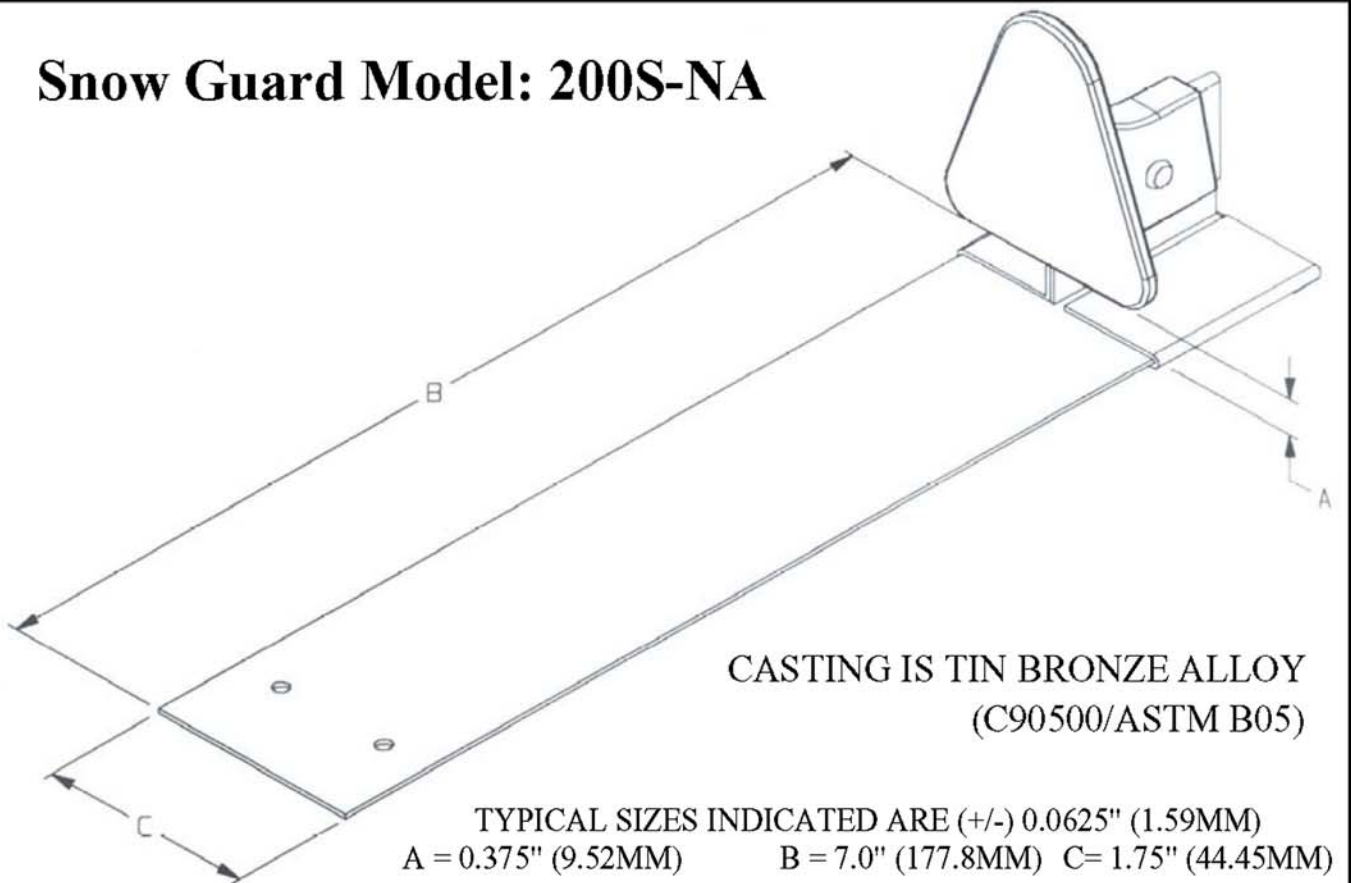
# SnowGuardWarehouse.com

Snow Guards and Rails for All Types of Roofs

Joseph Jenkins, Inc., 143 Forest Lane, Grove City, PA 16127 USA: Ph: 814-786-9085

Toll Free: 866-641-7141; Fax: 814-786-8209 Email: mail@josephjenkins.com

## Snow Guard Model: 200S-NA

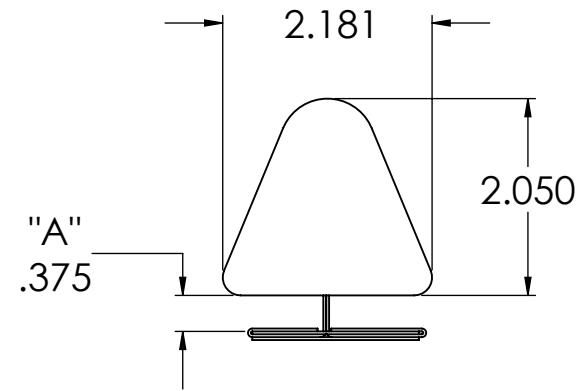
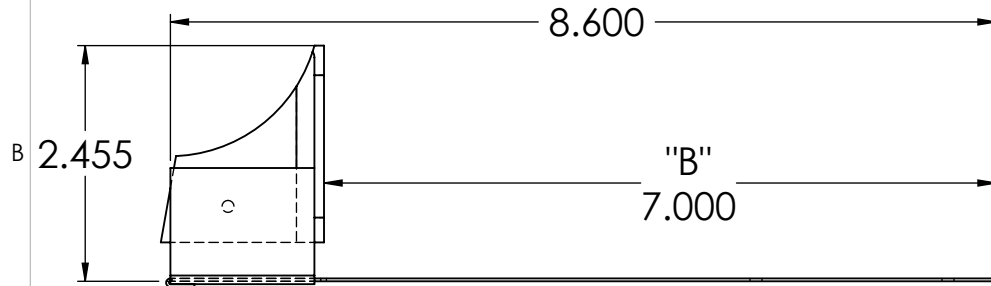
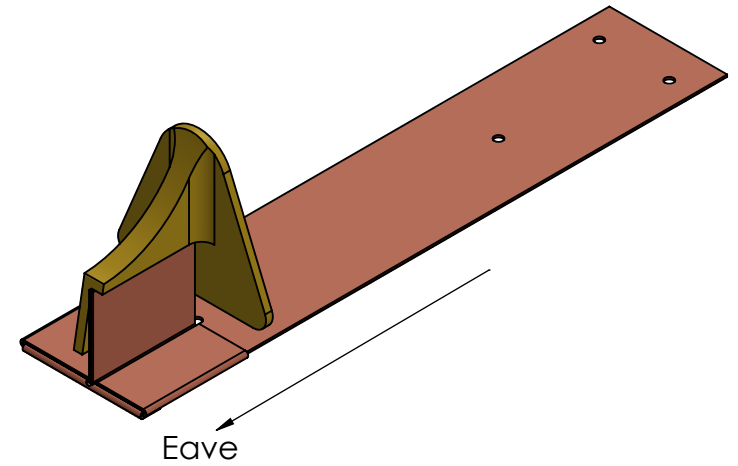
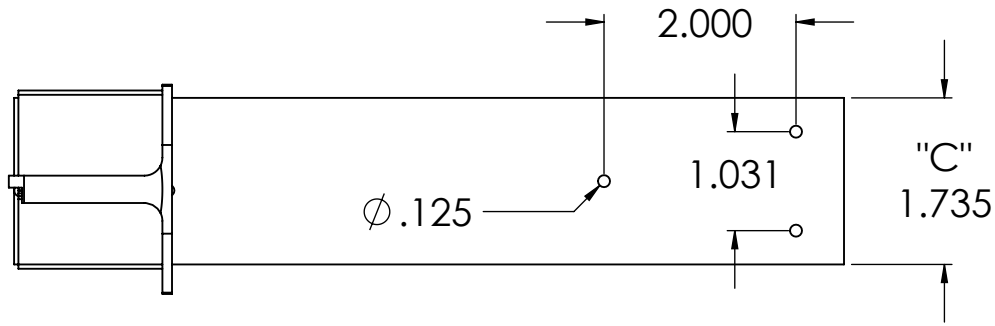


Slate & tile roof application. Installation flange and vertical support are fabricated from 24 oz. cold rolled copper (7.3 kg/m<sup>2</sup>), fastened with solid copper rivet. (Second rivet is optional.) Available with retro hook, for easy installation on existing slate roofs, or with a straight flange (shown above) for nail application on new slate, shingle and shake roofs. Dimension "A" is sized according to the thickness of the roofing material. Custom sizes and configuration are easily fabricated to individual specifications. Available in lead coated copper.

### Installation Recommendations

The following recommendation is for a typical application, slate size 12" x 18", with a 7.5" exposure, and a roof pitch of 12/12 (45 degrees Fahrenheit) This is a typical example, and can be used and adjusted for differing conditions such as high snow loads, or drifting conditions. For this example, the rafter length is 18'. Guards shall be installed in horizontal rows parallel to the eave. The first row shall be installed on the third course of slate, and spaced no more the 24" apart in the rows. Subsequent rows shall be spaced 30" vertically (4th slate course) and the guards offset 12" from the course below. Install 6 horizontal rows. **The preceding technical information is for informational purposes only and is not intended to replace the manufacturer's recommendations for a particular project. We will provide layouts upon receipt of roof plan with elevations. Manufacturer is not responsible for improper installation, or installation in insufficient quantities. Please note: Berger will provide free custom layouts**

Install in accordance with Berger's written specifications and instructions. Contact Berger for detailed layout, spec sheet for detailed material, finishes, and configuration options. Do not scale drawings. Subject to change without notice



For an additional cost, Mullane products can be special ordered to meet your specific needs. Fill in your requirements in inches:

A: \_\_\_\_\_  
 B: \_\_\_\_\_  
 C: \_\_\_\_\_

**BERGER**<sup>®</sup>

QUALITY BUILDING PRODUCTS SINCE 1874

Berger Building Products, Inc  
 805 Pennsylvania Blvd  
 Feasterville, PA 19053

www.bergerbp.com

Phone: 800-523-8852  
 Fax: 215-355-7738

Mullane #200S for Slate  
 Roofs - Nail Application  
**200S-NA**

Material: Refer to Spec Sheet

SCALE  
**1:2**

DWG. NO.

SHEET 1 OF 1