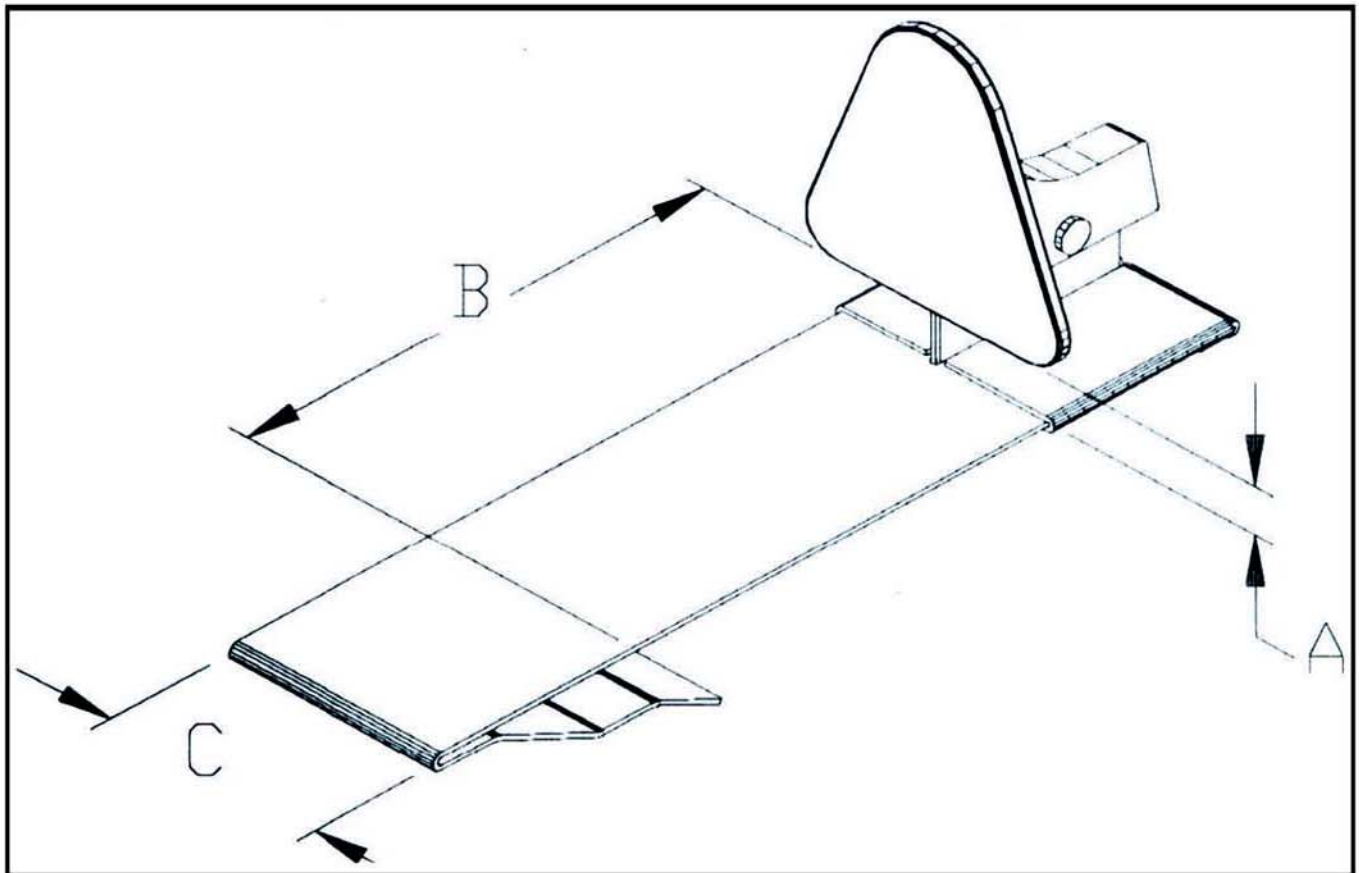


# SnowGuardWarehouse.com

Snow Guards and Rails for All Types of Roofs

Joseph Jenkins, Inc., 143 Forest Lane, Grove City, PA 16127 USA: Ph: 814-786-9085  
Toll Free: 866-641-7141; Fax: 814-786-8209 Email: mail@josephjenkins.com

## Snow Guard Model: 100S-RH



TYPICAL SIZES INDICATED ARE (+/-) 0.0625" (1.59MM)

A = 0.375" (9.52MM)      B = 3.75" (95.25MM)      C = 1.75" (44.45MM)

CASTING IS TIN BRONZE ALLOY (C90500/ASTM B05)

Retro hook for slate & tile roof applications. Installation flange and vertical support are fabricated from 24 oz. cold rolled copper (7.3 kg/m<sup>2</sup>), fastened with solid copper rivet. (Second rivet is optional) available with retro hook, (shown above) for easy installation on existing slate roofs, or with a straight flange for nail application on new slate, shingle and shake roofs. Dimension "A" is sized according to the thickness of the roofing material. Custom sizes and configuration are easily fabricated to individual specifications.

## **Installation Recommendations**

### **Berger Mullane Models 100S, 200S & 300S**

The following recommendation is for a typical application, slate size 12" x 18", with a 7.5" exposure, and a roof pitch of 12/12 (45 degrees Fahrenheit) This is a typical example, and can be used and adjusted for differing conditions such as high snow loads, or drifting conditions. For this example, the rafter length is 18'. Guards shall be installed in horizontal rows parallel to the eave. The first row shall be installed on the third course of slate, and spaced no more than 24" apart in the rows. Subsequent rows shall be spaced 30" vertically (4th slate course) and the guards offset 12" from the course below. Install 6 horizontal rows. **The preceding technical information is for informational purposes only and is not intended to replace the manufacturer's recommendations for a particular project. We will provide layouts upon receipt of roof plan with elevations. Manufacturer is not responsible for improper installation, or installation in insufficient quantities.**

Please note: Berger will provide free custom layouts

Warranty: Berger Building Products, Inc (BBPI) warrants that the products it manufactures shall be free from material defects. Should any of the products prove defective, the obligation of BBPI under this warranty shall be limited to replacement of the defective product or at our option the cost of the product originally shipped by Berger. This warranty is expressly in lieu of all other warranties expressed or implied including the warranties of merchantability and fitness for a particular purpose. There are no warranties, which extend beyond the description on the face hereof. BBPI in no event, whether claim is based on warranties, contract negligence or otherwise, is liable for incidental or consequential damages. Berger Building Products, Inc (BBPI) will not be responsible for misapplication or modification of product, incorrect material or defects that were obvious at time of installation. Any consequential damage, schedule delays, additional labor, and or equipment rental costs will not be BBPI responsibility. Any BBPI product warranty claim is limited solely to Berger Building Products, Inc.

BERGER BUILDING PRODUCTS, INC.  
805 Pennsylvania Boulevard ● Feasterville, PA 19053  
215-355-1200 or 1-800-523-8852 ● Fax: (215) 355-7738  
Website: [www.bergerbuildingproducts.com](http://www.bergerbuildingproducts.com)  
E-mail: [info@bergerbuildingproducts.com](mailto:info@bergerbuildingproducts.com)